

# Quiz 10

CSCI-UA.0480-005

Special Topics: Electrical Engineering for Computer Scientists I  
Prof. Rappaport

April 23, 2015 @ 9:30 AM

1. Convert  $202_{10}$  to Binary (base 2).

2. Convert  $10001101_2$  to Decimal (base 10).

3. Determine the truth table for the following digital logic circuit:

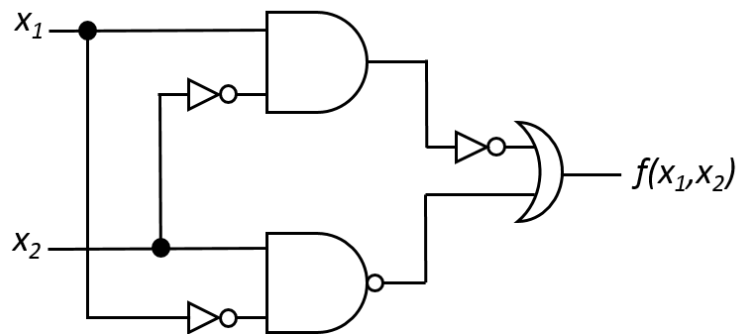


Figure 1: Question 3 Digital Logic Circuit.